

Contact Information

Avant Technology

828 New Meister Ln. Suite 300
Pflugerville, Texas 78660

Tel: 800.662.0297

Fax: 512.651.5251

www.avanttechnology.com

Avant 1.8" Mobile SSD

The Avant SSD combines enterprise class performance and reliability with low power operation to make the ideal mobile drive. The high read and write performance of the Avant SSD will satisfy the most demanding gamer and power user. While the low power mode extends battery life for the road warrior.

Providing an industry-leading bandwidth of more than 260MB/sec transfers, the Avant SSD can approach the limits of the SATA 3Gb/s interface on large transfers. Performance reaches enterprise class standards with up to 30,000 IOPS.

A robust ECC algorithm and RAISE™ technology protect the data. Efficient bad block management and reduced write amplification further bolster endurance. Drive health is monitored using an SSD-specific set of S.M.A.R.T. attributes. The combination of these techniques provides data protection unrivaled in the storage industry.

Reduced Power Requirements

- No moving parts
- Super-low operating and standby power needs
- Power requirements notably reduced over a typical HD

Fast Performance

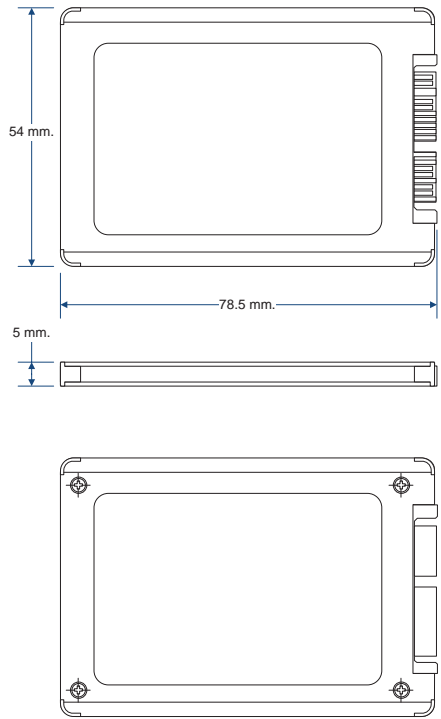
- Virtually zero spin up or seek times
- Zero rotational latency
- High sustained high-speed data transfers

Reliable

- No volatile memory elements
- Improved resistance to shock & vibration
- Predictable and manageable failure modes reduce IT costs

Improved Operation

- Noise and vibration free
- Virtually no heat emissions
- Lighter than conventional storage



Assembled in the U.S.A.

Part Number	Capacity	Wear Level Privisioning	Read/Write Sequential
AVSM10BD040M4	40GB	20%	280/275
AVSM10BD050M4	50GB	28%	280/275
AVSM10BD060M4	60GB	7%	280/275
AVSM10BD080M4	80GB	20%	280/275
AVSM10BD090M4	90GB	7%	280/275
AVSM10BD100M4	100GB	28%	280/275
AVSM10BD120M4	120GB	7%	280/275
AVSM10BD160M4	160GB	20%	280/275
AVSM10BD180M4	180GB	7%	280/275
AVSM10BD200M4	200GB	28%	280/275
AVSM10BD240M4	240GB	7%	280/275
AVSM10BD320M4	320GB	20%	280/275
AVSM10BD360M4	360GB	7%	280/275
AVSM10BD400M4	400GB	28%	280/275
AVSM10BD480M4	480GB	7%	280/275

Avant 1.8" Mobile SSD - Technical Specifications

Features

- 1.8" Form Factor
- Lifetime performance – will not degrade over time
- TRIM support (O/S support required)
- Windows (32-bit & 64-bit), Linux, and Mac OSX
- Ultra-efficient Block Management and Wear Leveling

Capacity

25GB to 480GB

Host Interface

- SATA 2.6 Compliant, 3Gb/s support and 1.5Gb/s support
- Native Command Queuing: 32
- SMART attribute List: Extended

Performance

- Sequential Read @128K: upto 280MB/s
- Sequential Write @128K: upto 275MB/s
- Random Read IOPS @ 4K blocks: up to 30K
- Random Write IOPS @ 4K blocks: up to 30K

Flash Memory Support

- Supports eMLC, MLC or SLC type
- Number of Flash Buses: 8

Power Consumption

- Typical (mW) <2.5W
- Sleep/Slumber: 50mW

Reliability

- MTTF (PoH): 2M
- Up to 24 9-bit Symbols Correction per 512 9-bit Symbol
- Non-recoverable Read Errors: (Less than 1 sector per bits read) 10^{16}

Environmental

- Operating Temperature 0°C to 70°C

Security

- 128-bit AES compliant Data Encryption
- User Selectable Password prior to boot
- User Selectable Password runtime
- Secure Erase (Factory Reset - ATA)

Physical

- 1.8 inch industry standard form factor
- Weight < 30g

