



Avant MO-297 SSD

The Avant MO-297 SSD module combines enterprise class performance and reliability with low power operation to make the ideal embedded SSD module.

Providing an industry-leading bandwidth of more than 260MB/sec transfers, the Avant MO-297 SSD module can approach the limits of the SATA 3Gb/s interface on large transfers. Performance reaches enterprise class standards with up to 30,000 IOPS while providing advanced power management for low consumption or extended battery life.

A robust ECC algorithm and redundant storage technology protects the data. Efficient bad block management and reduced write amplification further bolster endurance. Drive health is monitored using an SSD-specific set of S.M.A.R.T. attributes. The combination of these techniques provides data protection unrivaled in the embedded storage industry.

Call and order an Avant MO-297 SSD module and see why it is the optimal drive for your embedded application.

Contact Information

Avant Technology

828 New Meister Ln., Suite 300
Pflugerville, Texas 78660

Tel: 800.662.0297

Fax: 512.651.5251

info@avantmemory.com

www.avantmemory.com

Reduced Power Requirements

- No moving parts
- Super-low operating and standby power needs
- Power requirements notably reduced over a typical HD

Fast Performance

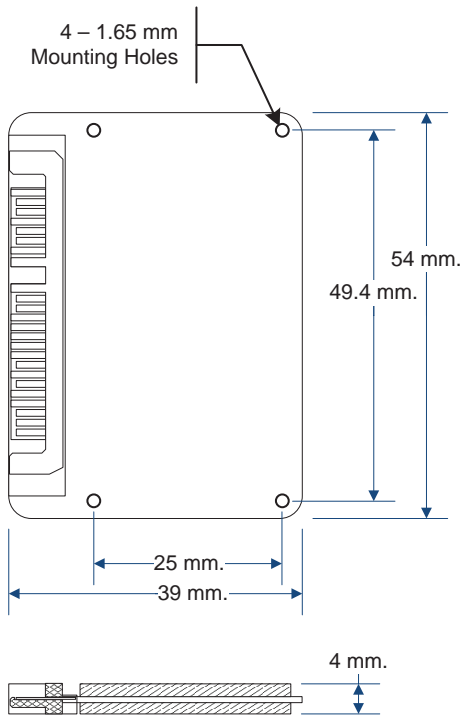
- Virtually zero spin up or seek times
- Zero rotational latency
- High sustained high-speed data transfers

Reliable

- No volatile memory elements
- Improved resistance to shock & vibration
- Predictable and manageable failure modes reduce IT costs

Improved Operation

- Noise and vibration free
- Virtually no heat emissions
- Lighter than conventional storage



Assembled in the U.S.A.

Avant MO-297 SSD - Technical Specifications

Features

JEDEC standard MO-297 form factor
 Lifetime performance – will not degrade over time
 TRIM support (O/S support required)
 Windows (32-bit & 64-bit), Linux, and Mac OS X
 Ultra-efficient Block Management and Wear Leveling

Capacity

25GB to 120GB

Host Interface

SATA 2.6 Compliant, 3Gb/s support and 1.5Gb/s support
 Native Command Queuing: 32
 SMART attribute List: Extended

Performance

Sequential Read @128K: >275MB/s
 Sequential Write @128K: >260MB/s
 Random Read IOPS @ 4K blocks: up to 30K
 Random Write IOPS @ 4K blocks: up to 30K

Flash Memory Support

Supports MLC type
 Number of Flash Buses: 16

Power Consumption

Typical (mW) TBD
 Sleep/Slumber: 50mW

Reliability

MTTF (PoH): 2M
 Up to 24 9-bit Symbols Correction per 512 9-bit Symbol
 Non-recoverable Read Errors: (Less than 1 sector per bits read) 10^{16}

Environmental

Operating Temperature 0°C to 70°C

Security

128-bit AES compliant Data Encryption
 User Selectable Password prior to boot
 User Selectable Password runtime
 Secure Erase (Factory Reset - ATA)

Physical

MO-297 Industry Standard Form Factor
 Weight <10g

Part Number	Capacity	Voltage	Flash
AVSM70A4025M4	25GB	5V	MLC
AVSM70A4050M4	50GB	5V	MLC
AVSM70A4060M4	60GB	5V	MLC
AVSM70A4100M4	100GB	5V	MLC
AVSM70A4120M4	120GB	5V	MLC
AVSM70B4025M4	25GB	3.3V	MLC
AVSM70B4050M4	50GB	3.3V	MLC
AVSM70B4060M4	60GB	3.3V	MLC
AVSM70B4100M4	100GB	3.3V	MLC
AVSM70B4120M4	120GB	3.3V	MLC

