



DDR SDRAM REGISTERED DIMM MODULE, 2.5V 1GByte - 128MX72 AVM7228R38C5333K4-AP

FEATURES

JEDEC DDR-333 PC-2700, Lead Free, RoHS compliant

- Clock frequency: 166MHz with CAS latency 2.5
- 8K refresh per 64ms
- 256 byte serial EEPROM
- Low active and standby current consumption
- Data input and output masking
- SSTL-2 compatible inputs and outputs
- Programmable burst length: 2, 4, 8
- Decoupling capacitors at each memory device
- Programmable burst type: sequential and interleave
- Double-sided module
- Programmable CAS latency: 2.5
- Auto refresh and self refresh capability
- Gold card edge fingers
- 30.48mm (1.20 inch) height

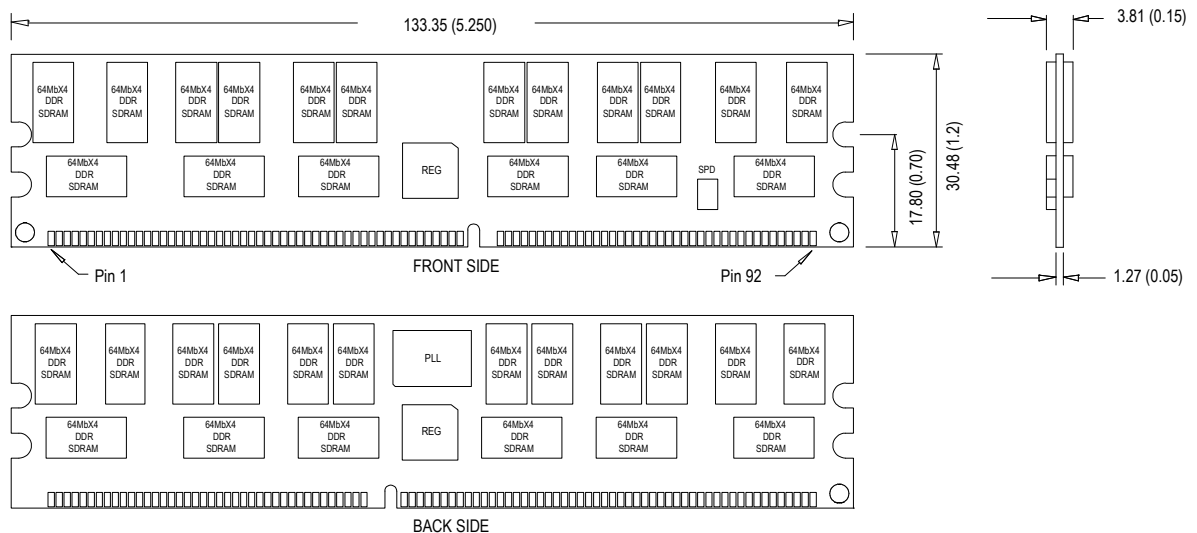
DESCRIPTION

The AVM7228R38C5333K4-AP is a Registered DDR SDRAM DIMM module. This module is JEDEC Pinout compatible DDR SDRAM Registered DIMM. The module has all the addresses and control signals buffered to reduce capacitive loading. The module utilizes a phase lock loop to reduce the capacitive loading on the clock signals and to synchronize all SDRAM input clocks with the system clock. A 256 byte serial EEPROM on board can be used to store module information such as timing, configuration, density, etc.

The AVM7228R38C5333K4-AP memory module is 1GByte and organized as 128MX72 ECC array using (36) 64MX4 DDR SDRAMs in lead-free FBGA packages.

The module PCB is fabricated using the latest technology design, eight-layer printed circuit board substrate construction with low ESR decoupling capacitors on-board for high reliability and low noise.

PHYSICAL DIMENSIONS



NOTES: 1- All dimensions are in millimeters (inches)
2- The dimensional drawings are for reference only. Refer to the JEDEC document for additional information.

Avant Ordering Guides

AV	M	72	28	R	38	C	5	333	K	4
INVENTORY	MOD. TYPE	ORG.	DENSITY	PARITY	TYPE	VOLT.	FEATURE	SPEED	MODE	REV
AV=AVANT	M = 184-PIN DDR DIMM	72=X72	28=128M	R= REGISTERED	38 = 16Mx4x4 (8K)	C = 2.5V	5 = CAS LATENCY 2.5	333MHz	K=DDR Sdram	REV=4

Other options may be available. Call for specific part number information on options not listed.



Avant™ Technology LP., reserves the right to change products or specifications without notice.